



1.

Standard drivers
Alimentatori standard



STC/U

Direct current electronic drivers
Alimentatori elettronici in corrente continua



Rated Voltage
Tensione Nominale
100 ÷ 127 V⁽³⁾
100 ÷ 240 V

Frequency
Frequenza
50...60 Hz

AC Operation range
Tensione di utilizzo AC
90 ÷ 264 V

DC Operation range
Tensione di utilizzo DC
176 ÷ 264 V

Power
Potenza
0 ÷ 8 W

Maximum current output ripple
Max. ondulazione della corrente uscita
≤ 3%⁽¹⁾

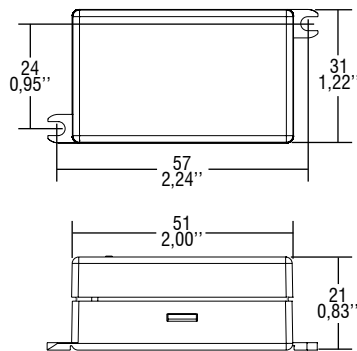
Reference Norms
Norme di riferimento:
CSA C22.2 no. 223⁽³⁾
EN 50172 (VDE 0108)
EN 55015
EN 60598-2-22
EN 61000-3-2
EN 61000-3-3
EN 61347-1
EN 61347-2-13
EN 61547
UL 1310⁽³⁾
UL 8750⁽³⁾
VDE 0710-T14

Article Articolo	Code Codice	P out W	V out DC	I out DC	n° LED max. ⁽¹⁾	V out max.	ta °C	tc °C	λ max. Power Factor	η max. Efficiency ⁽¹⁾
Constant current/voltage output - Uscita in corrente/tensione costante										
DC 6W 500mA STC/U	122635	6	12	500 mA cost.	3	13	-25...+45	70	0,6 C	73

⁽¹⁾ Referred to V_{in} = 230 V, 100% load - Riferito a V_{in} = 230 V, carico 100%

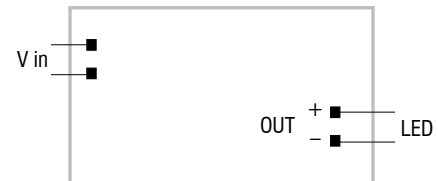


Weight - Peso: gr. 35 / 1,23 oz.
Pcs - Pezzi 50



Wiring diagram - Schema di collegamento

(Max. LED distance on page info8 - Massima distanza LED a pagina info8)



Features

- Driver for built-in use.
- Input and output terminal blocks on opposite sides.
- Single terminal at the primary and secondary circuit (wire cross-section up to 2,5 mm² / AWG13).
- It can be used for lighting equipment in protection class I and II.
- Current regulation -8 % + 5 % including temperature variations.
- Protections:
 - against overheating and short circuits;
 - against mains voltage spikes;
 - against overloads.



DLS LIGHTING US
 Cat. no. LC14-0500P-120-C
 Operates 4-7 Fixtures

14W

CONSTANT CURRENT
 CASE STYLE C

GENERAL INFORMATION

LED Driver Type	Constant Current (Class 2)
Maximum Wattage	14 Watts
Input Voltage	120 VAC ± 10% Dedicated 120-277 VAC ± 10% Universal
Input Frequency	50/60Hz
Total Harmonic Distortion	<20%

CASE STYLE C: POLYCARBONATE



ELECTRICAL SPECIFICATIONS

Watts	Rated Current	Output Voltage	Dimming Type	Input Voltage	Input Power	Input Current	Power Factor	Efficiency	Hatch Part Number
14W	500mA	10 - 28 VDC	Phase Dimming	120 VAC	17W	0.17A	>0.90	77%	LC14-0500P-120-C

PRODUCT FEATURES

- Short circuit and overload protection
- Over temperature protection
- Suitable for dry and damp locations
- Withstanding voltage: I/P – O/P 2kVAC
- Minimum start temp: -30°C

APPROVALS

- UL 8750 recognized component
- EN61000-3-2
- EMC: Meets FCC47 CFR Part 15 (Class B) consumer limits



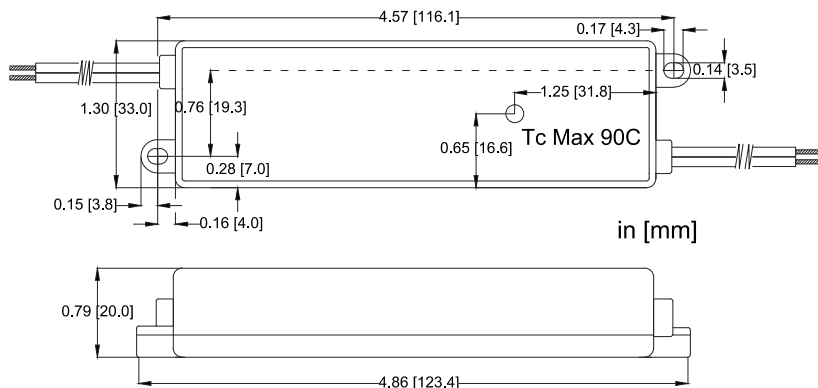
WARRANTY

- 5 year limited warranty

RELATED PRODUCT

Case Style S - 6.5" x 1.4" x 1.0"

MECHANICAL SPECIFICATIONS: CASE STYLE C



WIRING INFORMATION

Input: 12", Black (L), White (N) #18AWG
 Output: 12", Red (+), Blue (-) #18AWG

PACKAGING INFORMATION

Weight: 4.1oz
 Quantity: 40pc/carton