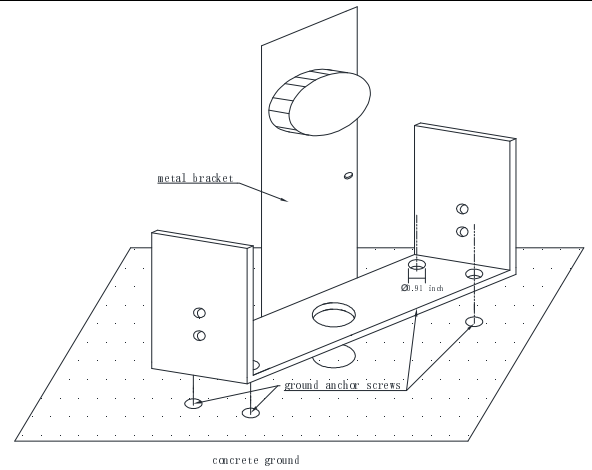


PROCEDURE

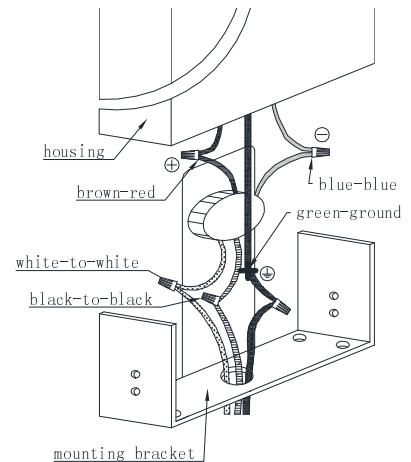
This product must be installed in accordance with the applicable installation code by a person familiar with the construction and operation of the product and the hazards involved. Do not install insulation within 3" of fixture sides or wiring compartment, nor above fixture in such a manner to entrap heat.

1. Make sure that you have a solid ground preferably concrete. Open all clamps to get out the mounting bracket from the housing. Make 4 holes for the ground anchor screws. Maximum diameter of the screws \varnothing 0.91 inch.
2. Connect the supply voltage with the input leads of the driver. (Black/Black) and (White/White). Please use suitable outdoor clamps for connection. Connect the ground wire, which is attached to the mounting bracket (Green-to-Ground). Connect the two driver wires with the two luminaire wires within the outdoor clamp housing. ATTENTION! Take care of the polarity (+/+) (-/-).
3. Insert the housing on the mounting bracket. Set and tighten the 2 Allen screws (2.5 mm) on both sides. ATTENTION: Carefully, place all the wiring into the housing.

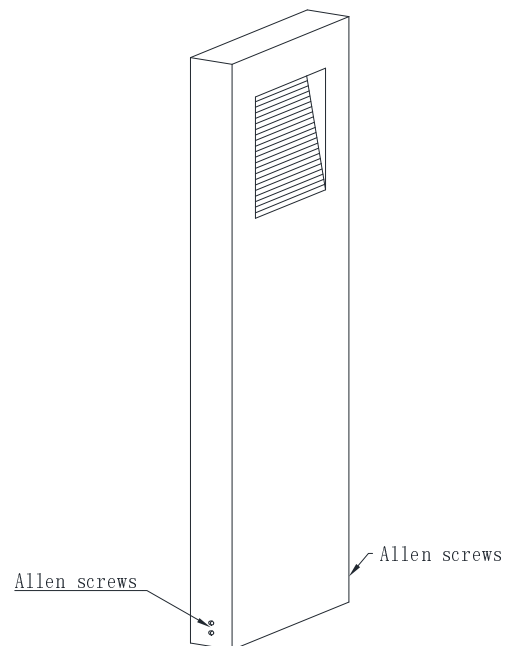
1.



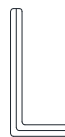
2.



3.



Allen key



2.5 mm

- **Damp and Wet** Location Listed
- **CSAus** Certified

IMPORTANT SAFETY INSTRUCTIONS:

- READ all the instructions before installation. Save instructions for later use.
- MIN 60°C SUPPLY CONDUCTORS.
- Turn off power at fuse or circuit breaker box before installation or before doing any maintenance work.
- Product must be mounted in locations and at heights and in manner consistent with its intended use, and in compliance with National Electric Code and local codes. Use of accessory equipment is not recommended.
- Installing contrary to instructions may cause unsafe conditions.
- Warning: Risk of fire. Consult a qualified electrician before installation.
- To avoid hazards to children, account all parts and properly dispose of all packaging materials.
- If there are any installation questions, contact us at <http://www.dslightingus.com>