

PROCEDURE

This product must be installed in accordance with the applicable installation code by a person familiar with the construction and operation of the product and the hazards involved.

CAUTION:

TO REDUCE THE RISK OF FIRE, DO NOT INSTALL CLOSER THAT 1/2 INCHES TO CABINET WALL OR IN A COMPARTMENT SMALLER THAN 12 INCHES BY 12 INCHES BY 12 INCHES.

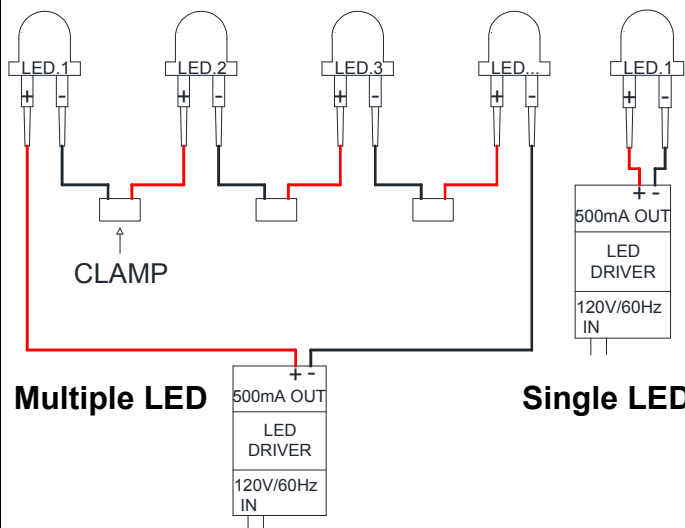
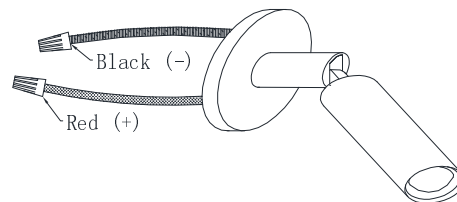
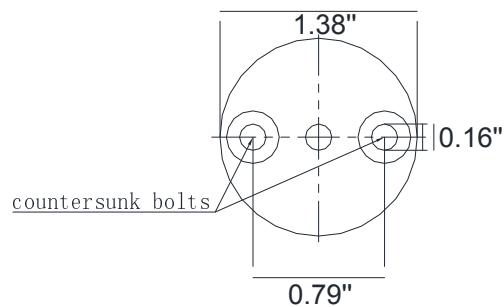
– Round mounting plate:
use countersunk bolts for fixture
#8-32 UNC (M4)

– Driver wiring:
Polarity of LED: RED(+) | BLACK(-)

USE CLASS 2 CONSTANT CURRENT POWER SUPPLY RATED MAX 3Vdc 500mA

UTILISATION DE CLASSE 2 CONSTANT COURANT ALIMENTATION NOMINALE MAX 3Vdc 500mA

– Series connection:
Select LED-Driver power according to the number of LED lights to be used. In case of multiple lights, make sure you connect the single LEDs in series, see picture.



– SUITABLE FOR DAMP LOCATIONS
CONVIENT AUX EMBLEMEMENTS HUMIDES

– **CSAus Certified**

IMPORTANT SAFETY INSTRUCTIONS:

- READ all the instructions before installation. Save instructions for later use.
- MIN 60°C SUPPLY CONDUCTORS.
- Turn off power at fuse or circuit breaker box before installation or before doing any maintenance work.
- Product must be mounted in locations and at heights and in manner consistent with its intended use, and in compliance with National Electric Code and local codes. Use of accessory equipment is not recommended.
- Installing contrary to instructions may cause unsafe conditions.
- Warning: Risk of fire. Consult a qualified electrician before installation.
- To avoid hazards to children, account all parts and properly dispose of all packaging materials.
- If there are any installation questions, contact us at <http://www.dslightingus.com>